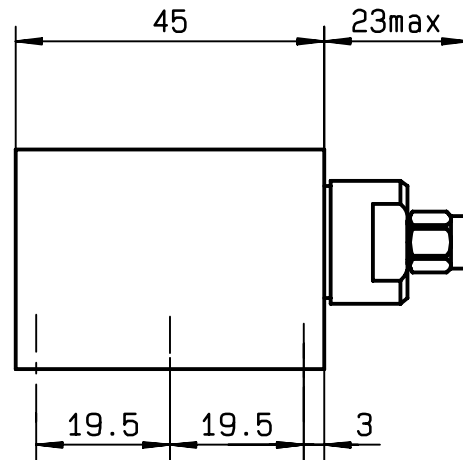
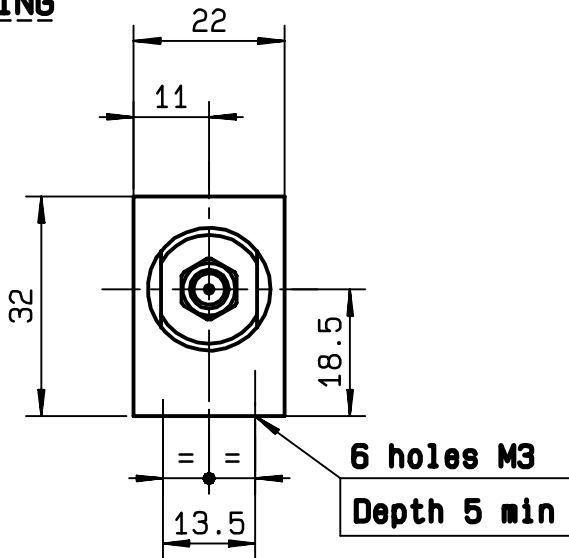


TITLE: 50 W 4GHZ SMA/m COAXIAL TERMINATION

LTR. B

DRAWING



General tolerances: +/- 0.5 mm

ELECTRICAL CHARACTERISTICS

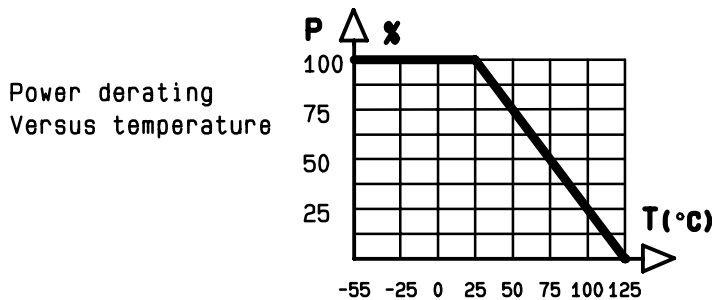
FREQUENCY RANGE	: DC - 4GHz
IMPEDANCE	: 50 Ohms
DC RESISTANCE	: 50 Ohms ± 5 %
AVERAGE POWER HANDLING	: 25 W at 25°C
	: 50 W mounted on infinite heatsink
PEAK POWER HANDLING	: 5 kW (1 μs, 1%.) at 25°C
V.S.W.R :	DC - 2 GHz : <= 1.10
	2 - 4 GHz : <= 1.20

MECHANICAL CHARACTERISTICS

CONNECTOR	: SMA male per MIL C 39012
MAXIMUM WEIGHT	: 140 grams

ENVIRONMENTAL CHARACTERISTICS

OPERATING TEMPERATURE RANGE (°C)	: -55 , +125
STORAGE TEMPERATURE RANGE (°C)	: -55 , +125



Tentative data subject to change without notice

PEN 95182	QUALITY Dpt App.				
PAGE 1 / 1	DATE 26.04.91	NAME KL	LTR	REVISIONS	DATE APP.
			B	New format	03.11.92 PG